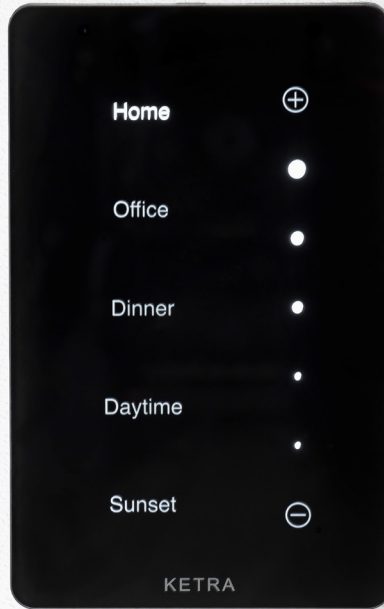


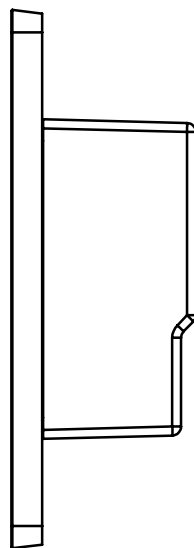
X1 INSTALLATION GUIDE



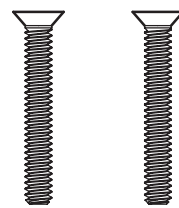
INCLUDED COMPONENTS



DISPLAY



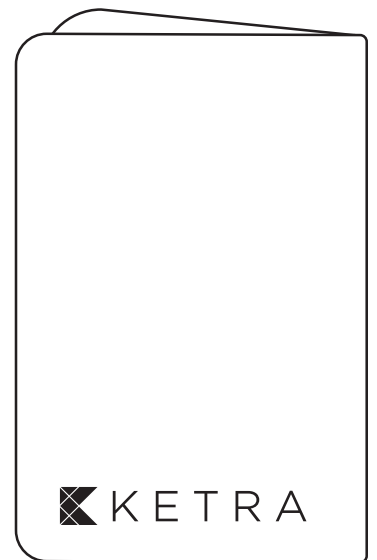
POWER SUPPLY



1" PHILLIPS HEAD
SCREWS



SUCTION CUP



MICROFIBER CLOTH

NEW CONSTRUCTION

1 Install wall box. (Non-metallic, single gang wall box with at least 14 cubic inch volume only)

2 Run power to wall box utilizing stranded or solid core 12-28 AWG wire.

3 Touch pad does not require earth ground connection. Cap or push wire out of way if present.

4 Prepare the wire for connection to wired terminal:
a. Strip 8.5mm of wire for insertion into the X1 Terminal Block
b. Twist the stranded wire to prevent fraying. (Tinning optional)

5 Insert wires into Power Supply's wiring terminal:
a. Insert small flat-head screwdriver above to release clamp
b. Insert wires into individual holes (No polarity / Line and neutral are interchangeable)
c. Inspect that no conductors are visible after insertion and ensure that no stray wires are exposed.

6 Carefully tuck wires back into wall box.

7 Mount the Power Supply to the wall box using supplied fasteners. Do not over torque as panel can become bowed.

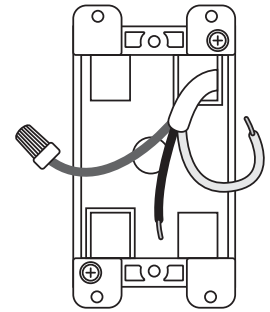
8 Energize circuit.

9 Unbox and attach Display Unit and mount using suction cup.

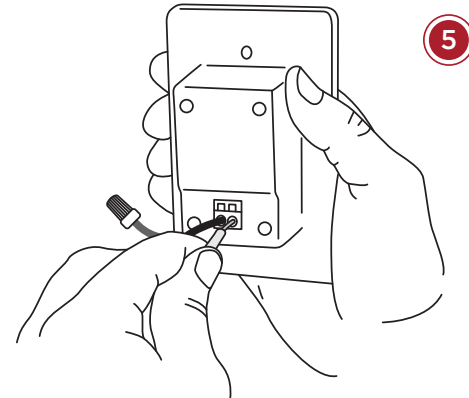
10 Peel static cling protective sheet from display.

11 Sleep light should pulse if unit is properly wired.

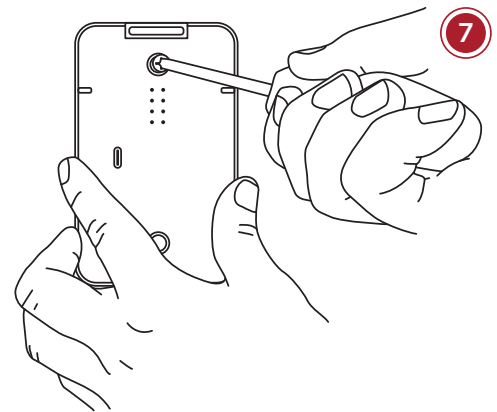
12 Installation is complete - refer to Design Studio Software for commissioning details.



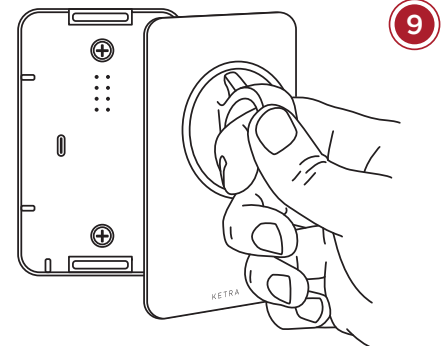
1



5



7



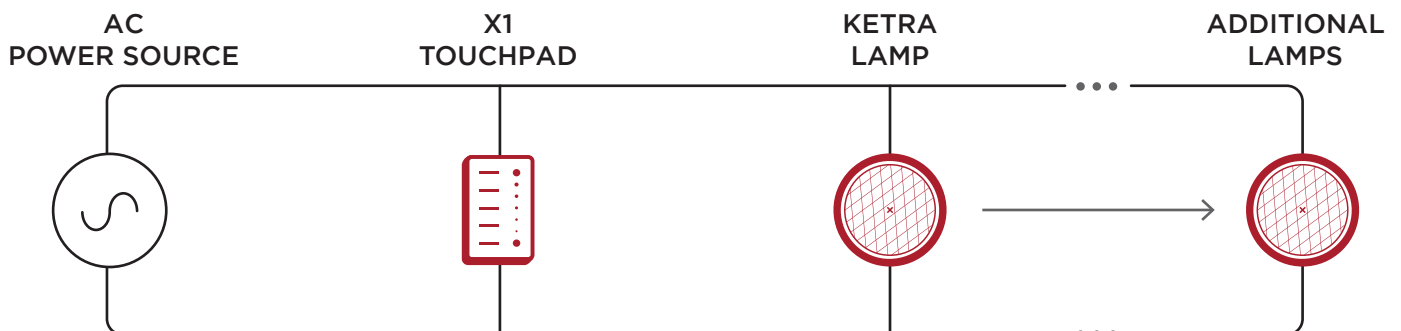
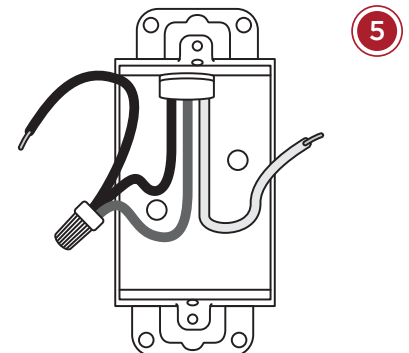
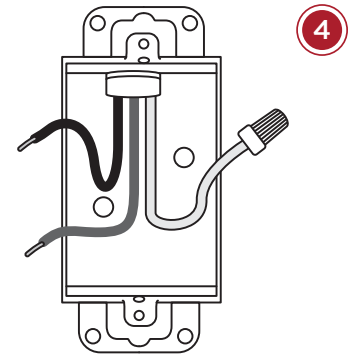
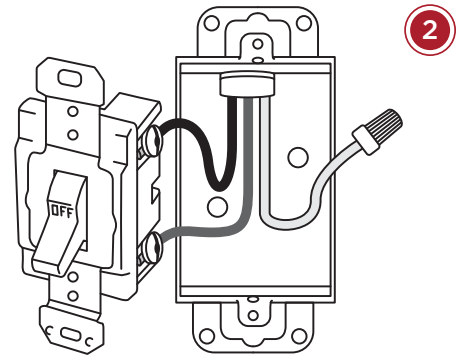
9

RETROFIT

- 1 This wiring scheme is for standard in-line 2-way light switches.
- 2 Turn off power feed to switch to be replaced.
- 3 Remove existing switch.
- 4 If existing box is metallic, we suggest replacing with non-metallic, single gang wall box with at least 14 cubic inch volume for optimal wireless connectivity.
- 5 The X1 Touchpad and Ketra products require a constant, uninterrupted source of electricity. The X1 Touchpad communicates with Ketra's lighting products via wireless signal. Power needs to be run directly to fixtures being controlled by the X1 Touchpad. Fixtures to be controlled by X1 Touchpad do not have to be connected to the same circuit as control signal is wireless.

In the typical case of a retrofit thru-wire installation, the incoming and outgoing line connections should be tied together; thus creating a constant source of power to the lighting products. The line connection to the X1 Touchpad can then also be tapped off this connection. See diagram below.

- 6 Power can branch off to X1 using supplied wire leads.
- 7 Continue with **New Construction : Step 4 on Page 2**.



TECH SUPPORT

For questions and technical support please contact:

+1.512.872.4357
support@goketra.com

Change a lamp. Change everything.



+1.512.347.1100 www.goketra.com

3815 South Capital of Texas Highway
Suite 100 • Austin • Texas 78704



This device complies with Part 15 of the FCC Rules. Operation is subject to the following two conditions: (1) this device may not cause harmful interference, and (2) this device must accept any interference received, including interference that may cause undesired operation.