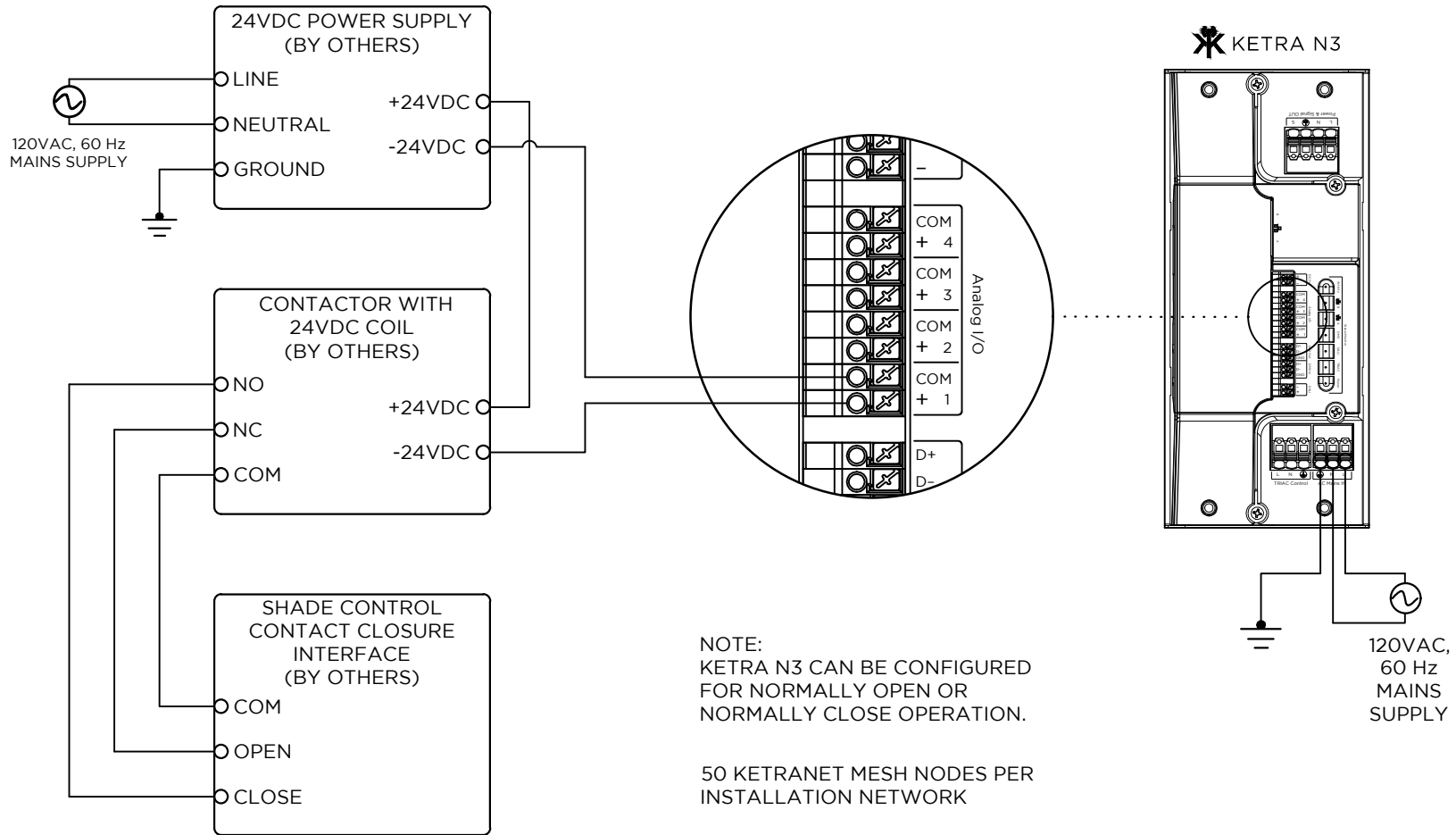


KETRA

3815 S. CAPITAL OF TEXAS HWY
SUITE 100
AUSTIN, TX 78704
P: 512.347.1100

GENERAL NOTES:

1. KETRANET MESH IS KETRA'S WIRELESS CONTROL PROTOCOL.
2. A NODE IS A KETRANET MESH ENABLED WIRELESS DEVICE.
3. 50 KETRANET MESH NODES MAX. PER INSTALLATION NETWORK.
4. ALL KETRANET MESH NODES TO BE INSTALLED WITHIN 50'-0" RANGE OF THE NEAREST NODE.
5. KETRA N3 CAN BE CONFIGURED FOR NORMALLY OPEN OR NORMALLY CLOSE OPERATION.



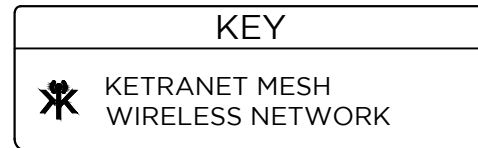
NOTE:
KETRA N3 CAN BE CONFIGURED
FOR NORMALLY OPEN OR
NORMALLY CLOSE OPERATION.

50 KETRANET MESH NODES PER
INSTALLATION NETWORK

FOR REFERENCE ONLY
NOT FOR
CONSTRUCTION

DRAWING TYPE: WD
DRAWING #:
REVISION #: 01
DATE: 05/20/2016
DRAWN BY: CEH
CHECKED BY: GEB
SCALE: NTS

SHEET NAME
KETRA
N3, SHADE CONTROL



SHEET
1 OF **1**