

KETRA

3815 S. CAPITAL OF TEXAS HWY
SUITE 100
AUSTIN, TX 78704
P: 512.347.1100

GENERAL NOTES:

1. KETRANET MESH IS KETRA'S WIRELESS CONTROL PROTOCOL.
2. A NODE IS A KETRANET MESH ENABLED WIRELESS DEVICE.
3. 50 KETRANET MESH NODES MAX. PER INSTALLATION NETWORK.
4. ALL KETRANET MESH NODES TO BE INSTALLED WITHIN 50'-0" RANGE OF THE NEAREST NODE.

FOR REFERENCE ONLY
NOT FOR
CONSTRUCTION

DRAWING TYPE: WD

DRAWING #:

REVISION #: 00

DATE: 06/21/2016

DRAWN BY: CEH

CHECKED BY: GEB

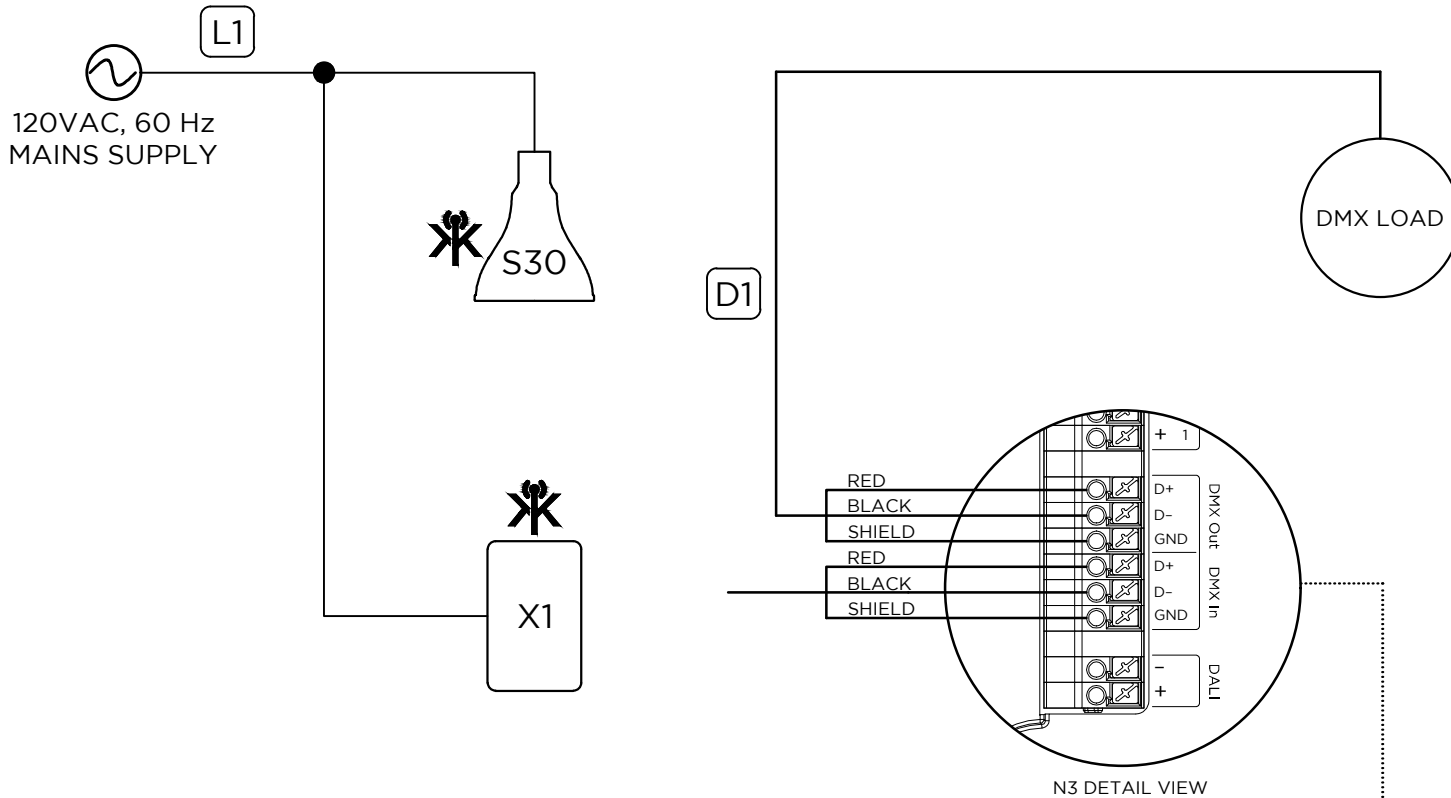
SCALE: NTS

SHEET NAME

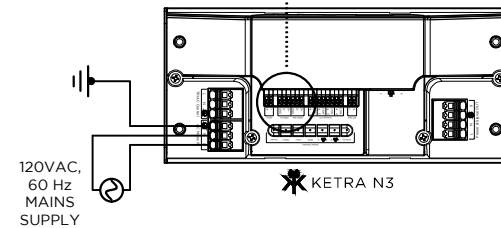
KETRA N3, S30, X1,
DMX-OUT, DMX LOAD

SHEET

1 OF 1



N3 DETAIL VIEW



KEY

- L1** 12 AWG, 3 WIRE
BELDEN-9729 OR
EQUIVALENT DMX, 2
TWISTED PAIRS, SHIELDED
- D1** BELDEN-9729 OR
EQUIVALENT DMX, 2
TWISTED PAIRS, SHIELDED
- KETRANET MESH**
WIRELESS NETWORK