

KETRA

3815 S. CAPITAL OF TEXAS HWY
SUITE 100
AUSTIN, TX 78704
P: 512.347.1100

GENERAL NOTES:

1. KETRANET MESH IS KETRA'S WIRELESS CONTROL PROTOCOL.
2. A NODE IS A KETRANET MESH ENABLED WIRELESS DEVICE.
3. 50 KETRANET MESH NODES MAX. PER INSTALLATION NETWORK.
4. ALL KETRANET MESH NODES TO BE INSTALLED WITHIN 50'-0" RANGE OF THE NEAREST NODE.

FOR REFERENCE ONLY
NOT FOR
CONSTRUCTION

DRAWING TYPE: WD

DRAWING #:

REVISION #: 01

DATE: 05/24/2016

DRAWN BY: CEH

CHECKED BY: GEB

SCALE: NTS

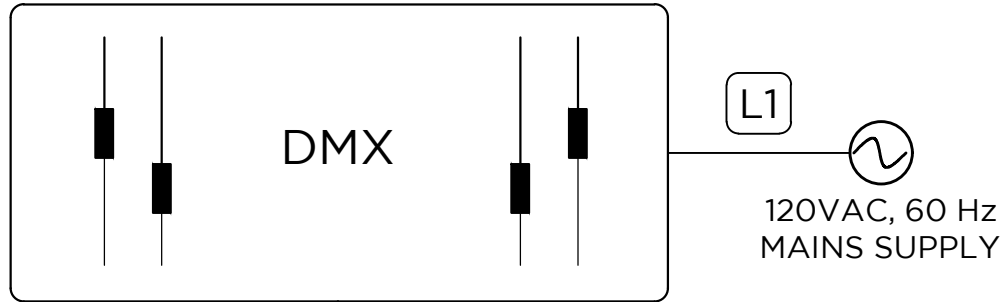
SHEET NAME

KETRA
N3 TO DMX-IN

SHEET

1 OF 1

DMX OUT BY OTHERS




5-PIN XLR	
5-PIN XLR #	SIGNAL
1	SIGNAL COMMON
2	DMX DATA -
3	DMX DATA +
4	(NOT USED)
5	(NOT USED)

3-PIN XLR	
3-PIN XLR #	SIGNAL
1	SIGNAL COMMON
2	DMX DATA -
3	DMX DATA +

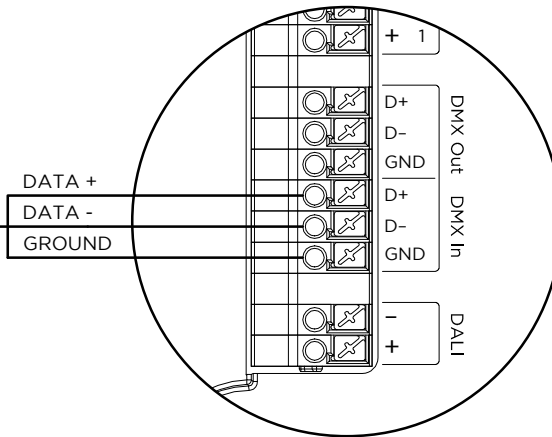
ESTA RJ45 PINOUTS		
RJ45 PIN #	DMX512-A SIGNAL	WIRE COLOR
1	DMX_DATA+	ORANGE/WHITE
2	DMX_DATA-	ORANGE
7	GND	BROWN/WHITE
8	GND	BROWN

COLOR KINETICS RJ45 PINOUTS		
RJ45 PIN #	CK DMX SIGNAL	WIRE COLOR
1	DMX_DATA-	ORANGE/WHITE
2	DMX_DATA+	ORANGE
3	GND	GREEN/WHITE
6	GND	GREEN

KEY

- L1** 12 AWG, 3 WIRE
- D1** BELDEN-9729 OR EQUIVALENT DMX, 2 TWISTED PAIRS, SHIELDED
-  KETRANET MESH WIRELESS NETWORK

D1



50 KETRANET MESH NODES
PER INSTALLATION NETWORK

