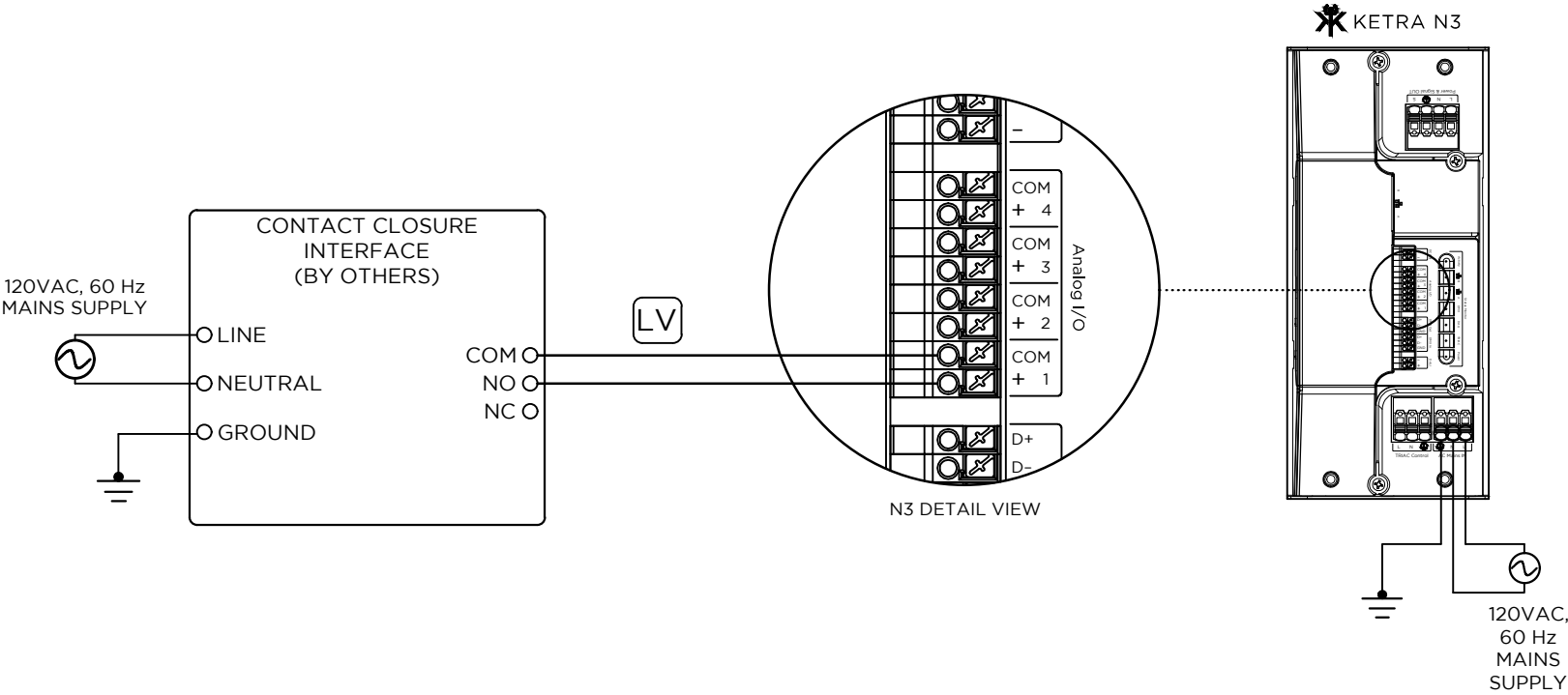


KETRA

3815 S. CAPITAL OF TEXAS HWY
 SUITE 100
 AUSTIN, TX 78704
 P: 512.347.1100

GENERAL NOTES:

1. KETRANET MESH IS KETRA'S WIRELESS CONTROL PROTOCOL.
2. A NODE IS A KETRANET MESH ENABLED WIRELESS DEVICE.
3. 50 KETRANET MESH NODES MAX. PER INSTALLATION NETWORK.
4. ALL KETRANET MESH NODES TO BE INSTALLED WITHIN 50'-0" RANGE OF THE NEAREST NODE.



KEY	
	16-24 AWG, 2 WIRE
	KETRANET MESH WIRELESS NETWORK

NOTE:
 KETRA N3 CAN BE CONFIGURED
 FOR NORMALLY OPEN OR
 NORMALLY CLOSED OPERATION.

FOR REFERENCE ONLY
 NOT FOR
 CONSTRUCTION

DRAWING TYPE: WD
 DRAWING #:
 REVISION #: 01
 DATE: 04/07/2016
 DRAWN BY: CEH
 CHECKED BY: GEB
 SCALE: NTS

SHEET NAME
 KETRA N3 TO
 CONTACT CLOSURE-IN