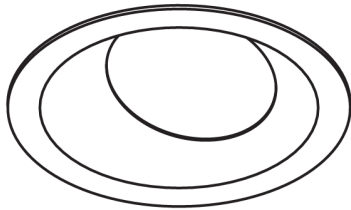


KETRA

STATIC WHITE D3 ROUND FLANGED WALL WASH



Project: _____
 Comments: _____
 Prepared By: _____

Single-point source produces high fidelity, 90+ CRI/R9 Whites.

Closed-loop color point maintenance to <1 MacAdam ellipse over lifetime and temperature

Integrated temperature protection maintains safe operating conditions

Wirelessly dimmable to 0.1%

On-board wireless control enables individual addressability and control

HARDWARE ORDERING GUIDE

TRIM

D3TFRW1	Trim Color	WW	Trim Lens	Code
Series and Trim				
3.75" Round Flanged Wall Wash				D3TFRW1
Trim Color				
White				WH
Black				BK
Trim Accessory ¹ (See diagram on page 3)				
None				N
Solite Lens				S
Frost Lens <small>(None of the Trim Accessories listed above can be used with Optic Accessories)</small>				F

HOUSING

D3WWRD	Wattage	Platform & Color Point	WW	Beam Angle	Voltage	NCIC	Shipping Option	Code
Fixture and Trim								
3.75" Round Flanged Wall Wash								D3WWRD
Wattage								
9 Watts								09
13 Watts								13
18 Watts								18
Platform & Color Point								
2700K								B27
3000K								B30
3500K								B35
4000K								B40
Beam Angle								
Wall Wash								WW
Voltage								
120VAC 60Hz								11
220-277VAC 60Hz (available Q2 '17)								21
220-277VAC 50Hz (available Q2 '17)								22
Housing Type								
New Construction, IC/Airtight								NCIC
Shipping Option								
Single Pack (Default, ships with Butterfly Brackets & 24" Nailer Bars to be installed in field)								SP
Bulk Pallet w/ Butterfly Brackets (available for qty's greater than 20 units, Butterfly Bracket is pre-installed)								BB
Bulk Pallet w/ 24" Nailer Bars (available for qty's greater than 20 units, 24" Nailer Bars pre-installed)								BN

¹ Downlight is wet location rated when trim is installed with lens.

KETRA

STATIC WHITE D3 ROUND FLANGED WALL WASH

SPECIFICATIONS¹

OPTICAL & ELECTRICAL PERFORMANCE

Delivered Lumen Output ²				
Beam Angle	9W	13W	18W	
Wall Wash	414lm	573lm	705lm	
CRI (Ra)	>90 (R9>90)			
Lumen Maintenance ⁴	50,000 hours to L70 @ 25°C T _A			
Color Spatial Uniformity	<2 MacAdam ellipses across field angle			
Color Point Options	2700K, 3000K, 3500K, 4000K			
Equivalent Traditional Lamp	75W halogen			
Dimming Range ⁵	0.1-100%lm			
Power consumption	D3.09 9W D3.13 13W D3.18 18W			
Voltage	120VAC 60Hz 220-277VAC 60Hz 220-277VAC 50Hz			
Power Factor	>0.9			
Current	150 mA Max			
Delivered Efficacy				
Beam Angle	9W	13W	18W	
Wall Wash	46lm/W	44lm/W	39lm/W	
Surge Protection	2.5KV			
Control Protocol	KetraNet Mesh			

ENVIRONMENTAL

Operating Temperature (T _A)	0 - 40°C
Storage Temperature	-20 - 80°C
Humidity	0 - 95%, Non-condensing
Certification	UL, cUL, RoHS, FCC Class B
Location	UL Wet Location

MECHANICAL

Mounting Options	Hanger Bars/ Butterfly Brackets
Field Replaceable Optics	Yes
Field Replaceable Light Engine ⁶	Yes
Field Replaceable Power Supply	Yes
Housing Material	Powder Coated Steel, Polymer
Lens Material	Glass

DIMENSIONS

Ceiling Hole Diameter	4" Flanged
Trim Outside Diameter	4.5"
Trim Inside Diameter	3.75"
Trim Thickness	¼"
Optics Outside Diameter	2.5"
Trim Depth	1"
Ceiling Thickness	0.625" - 1.5"
Aiming	Tilt Fixed at 20° 364° Rotation ⁶
Service Position	Tilt to 40° Full 364° Rotation
Housing Vertical Adjustment via Butterfly Bracket	1.75"
Housing Height	3.50"
Housing Length	18.38"
Housing Width	10.07"

¹ All performance measurements taken with 1" trim, with light engine at nadir at the low regress position, at 3000K, 25°C ambient, 100% power input, unless otherwise stated.

² Lumen measurement complies with IES LM-79-08 testing procedures.

³ Lumen maintenance values calculated in accordance to TM-21 procedures based on LM-80 compliant measurement data.

⁴ Intensity and color point controlled via Ketra's wireless network.

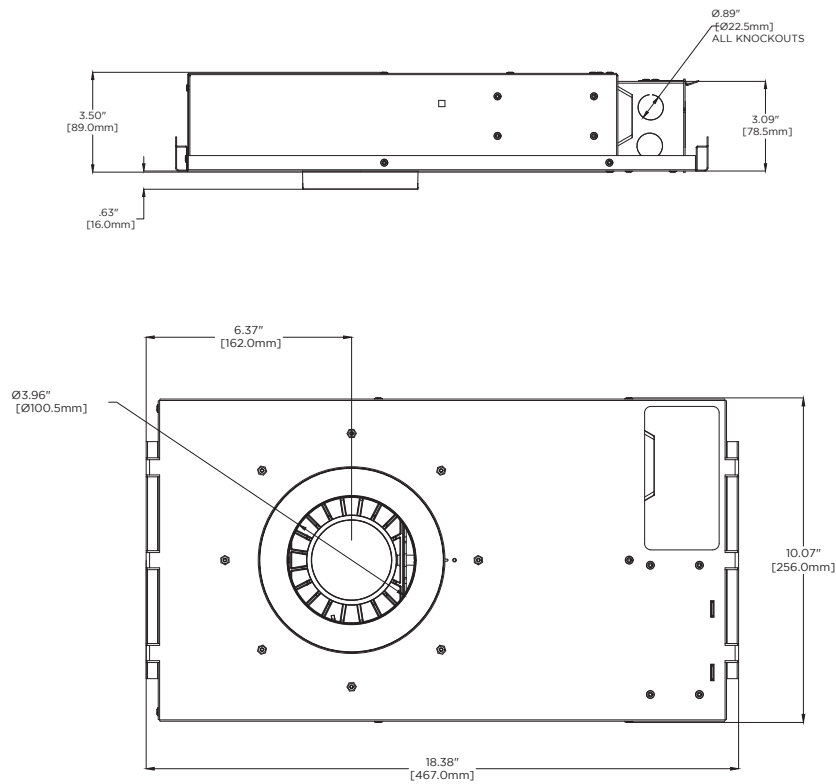
770-000028-05 r1

Specifications are subject to change without notice

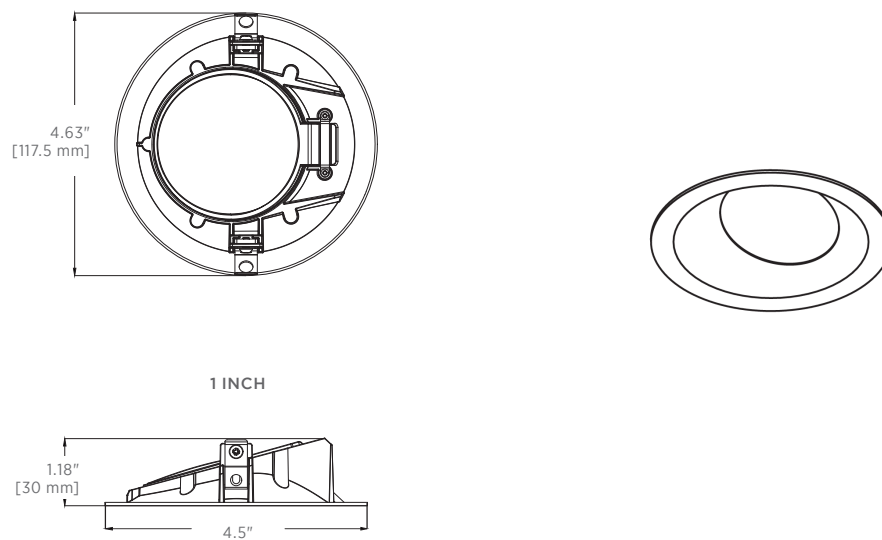
KETRA

STATIC WHITE D3 ROUND FLANGED WALL WASH

HOUSING



TRIM



770-000028-05 r1
Specifications are subject to change without notice

KETRA

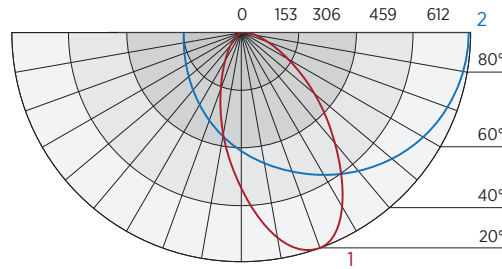
STATIC WHITE D3 ROUND FLANGED WALL WASH

ISO FOOTCANDLE CHARTS: 2700K, 3000K, 3500K, OR 4000K, DELIVERED LUMENS

LM-79 compliant IES files available upon request.

BEAM ANGLE: WALL WASH

Product Code ¹	Wattage	Lumens
D3WWRD18BTWW	18W	714



- 1 Vertical plane through horizontal angles (0-180) (through max. cd.)
- 2 Horizontal cone through vertical angle (20) (through max. cd.)

Distance from Ceiling	2' from wall		2' on Center		3' on Center			4' on Center		
	CL	CL	CL	CL	CL	CL	CL	CL	CL	CL
1'	30	29	30	21	20	21	17	14	17	
2'	42	43	43	30	30	30	24	21	24	
3'	43	45	45	32	31	31	25	23	25	
4'	35	36	36	26	26	25	20	20	20	
5'	25	26	27	20	19	19	15	15	15	
6'	18	19	20	15	15	14	12	12	11	
7'	14	14	15	11	11	11	9	9	9	
8'	10	11	11	9	9	9	7	7	7	
9'	8	9	9	7	7	7	6	6	6	
10'	7	7	7	6	6	6	5	5	5	

Distance from Ceiling	3' from wall		2' on Center		3' on Center			4' on Center		
	CL	CL	CL	CL	CL	CL	CL	CL	CL	CL
1'	14	15	15	11	11	11	9	8	9	
2'	24	25	25	18	18	18	14	13	14	
3'	30	31	31	22	23	23	18	16	18	
4'	29	30	31	22	23	23	18	16	18	
5'	25	26	26	19	20	20	16	14	16	
6'	20	21	21	16	16	17	13	12	13	
7'	16	17	17	13	14	14	11	10	11	
8'	13	14	14	11	11	11	9	8	9	
9'	11	11	11	9	10	10	8	7	8	
10'	9	9	9	8	8	8	7	6	7	

Calculated with five luminaires. Reflectances: 80, 50, 20. Values are rounded to the nearest footcandle.

770-000028-05 r1

Specifications are subject to change without notice

K E T R A

STATIC WHITE D3 ROUND FLANGED WALL WASH

GENERAL SPECIFICATIONS

LED downlight shall employ closed loop optical and thermal feedback capable of maintaining color point accuracy of <1 MacAdam ellipse.

LED downlight shall have color spatial uniformity of <2 MacAdam ellipses over full field angle.

LED downlight shall have an integrated wireless control onboard.

LED downlight shall be capable of a CRI >90 along the Black Body Curve at 2700K, 300K, 3500K, or 4000K.

LED downlight lamp shall be a single source multi-die emitter consisting of both monochromatic and phosphor converted blue LED dye.

LED downlight shall be sealed, meeting UL damp location (and UL Wet Location with Wet Location Trim) requirements.

LED downlight shall be dimmable to 0.1% of measured luminous flux with wireless dimming.

LED downlight shall be UL listed and RoHS compliant.

LED downlight shall be capable of in situ firmware and software upgrades.

Ketra LED Fixtures are warrantied to be free from material defects in material and workmanship for five (5) years or 25,000 hours from date of shipment, whichever is less.

LED D3 Fixture shall be # _____