

KETRA

STATIC WHITE D3 ROUND ADJUSTABLE FLANGELESS BEVEL

SPECIFICATIONS¹

OPTICAL & ELECTRICAL PERFORMANCE

Delivered Lumen Output ²			
Beam Angle (1" recess)	9W	13W	18W
15° beam low glare	650lm	882lm	1092lm
25° beam, low glare	623lm	845lm	1046lm
40° beam, low glare	569lm	772lm	955lm
60° beam, low glare	561lm	760lm	941lm
15° beam high output	682lm	928lm	1148lm
25° beam, high output	678lm	923lm	1142lm
40° beam, high output	646lm	878lm	1087lm
60° beam, high output	630lm	857lm	1061lm
CRI (Ra) ³	>90 (R9>90) 2400K-5000K TYP		
Lumen Maintenance ⁴	50,000 hours to L70 @ 25°C T _A		
Color Spatial Uniformity ³	<2 MacAdam ellipses across field angle		
Color Point Range ⁵	1400°K-10,000°K, Fully Saturated, & Pastel		
Equivalent Traditional Lamp	75W halogen		
Dimming Range ⁵	0.1-100%lm		
Power consumption	D3.09 9W D3.13 13W D3.18 18W		
Voltage	120VAC 60Hz 220-277VAC 60Hz 220-277VAC 50Hz		
Power Factor	>0.9		
Current	150 mA Max		
Delivered Efficacy			
Beam Angle (1" recess)	9W	13W	18W
15° beam, low glare	72lm/W	68lm/W	61lm/W
25° beam, low glare	69lm/W	65lm/W	58lm/W
40° beam, low glare	63lm/W	59lm/W	53lm/W
60° beam, low glare	62lm/W	58lm/W	52lm/W
15° beam, high output	76lm/W	71lm/W	63lm/W
25° beam, high output	75lm/W	71lm/W	62lm/W
40° beam, high output	72lm/W	68lm/W	59lm/W
60° beam, high output	70lm/W	66lm/W	58lm/W
Surge Protection	2.5KV		
Control Protocol	KetraNet Mesh		

ENVIRONMENTAL

Operating Temperature (T _A)	0 - 40°C
Storage Temperature	-20 - 80°C
Humidity	0 - 95%, Non-condensing
Certification	UL, cUL, RoHS, FCC Class B
Location	UL Damp Location, UL Wet Location Available with Lens Trim

MECHANICAL

Mounting Options	Hanger Bars/ Butterfly Brackets
Field Replaceable Optics	Yes
Field Replaceable Light Engine ⁶	Yes
Field Replaceable Power Supply	Yes
Additional Optic Lens Holder	2.5" Lens, 1/8" Thick
Additional Trim Lens Holder	2.75" Lens, 1/8" Thick
Housing Material	Powder Coated Steel, Polymer
Lens Material	Glass

DIMENSIONS

Ceiling Hole Diameter	5.5" Flangeless
Trim Outside Diameter	4.62"
Trim Inside Diameter	3.75"
Trim Thickness	1/16"
Optics Outside Diameter	2.5"
Trim Depth	1"
Ceiling Thickness	0.625" - 1.5"
Emitter Vertical Adjustment (tool-free)	0.75"
Tilt Adjustment	0-40° Tilt
Rotation Adjustment	360° Rotation
Housing Vertical Adjustment via Butterfly Bracket	1.75"
Housing Height	3.50"
Housing Length	18.38"
Housing Width	10.07"

¹ All performance measurements taken with 1" trim, with light engine at nadir at the low regress position, at 3000K, 25°C ambient, 100% power input, unless otherwise stated.

² Lumen measurement complies with IES LM-79-08 testing procedures.

³ See color gamut chart on page 4.

⁴ Lumen maintenance values calculated in accordance to TM-21 procedures based on LM-80 compliant measurement data.

⁵ Intensity and color point controlled via Ketra's wireless network.




770-000028-03 r1

Specifications are subject to change without notice

KETRA

STATIC WHITE D3 ROUND ADJUSTABLE FLANGELESS BEVEL

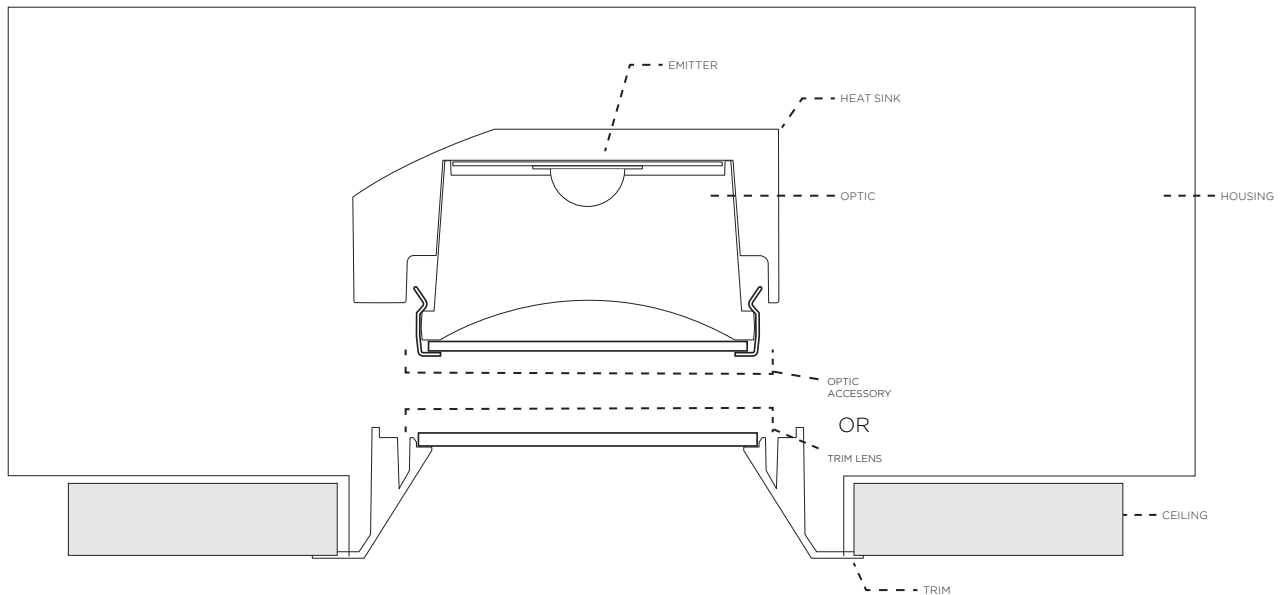
COMPONENT ORDERING GUIDE

REPLACEMENT OPTICS			ACCESSORIES ¹			MOUNTING KITS		
D3	OP		D3			D3	MA	
Series	Accessory Type	Beam Angle	Series	Accessory		Series	Accessory Type	Mounting Accessory
Code			Code			Code		
Series			Series			Series		
3.75" Recessed Downlight		D3	3.75" Recessed Downlight		D3	3.75" Recessed Downlight		D3
Accessory Type			Accessory ²			Accessory Type		
Optic		OP	See Image			Mounting Accessory		MA
Beam Angle			Round Bevel Trim Lens Solite		TLRDS	Mounting Accessory		
Spot (15°) Low Glare		15L	Round Bevel Trim Lens Frost		TLRDF	(2) Butterfly Brackets		B
Flood (25°) Low Glare		25L	Optic Accessory Solite		OAS	(2) 24" Nailer Bar		N
Wide Flood (40°) Low Glare		40L	Optic Accessory Frost		OAF			
Very Wide Flood (60°) Low Glare		60L	Optic Accessory Hex Louver		OAH			
Spot (15°) High Output		15H						
Flood (25°) High Output		25H						
Wide Flood (40°) High Output		40H						
Very Wide Flood (60°) High Output		60H						

¹ Downlight is wet location rated when trim is installed with lens.

² Only one optional optical or trim accessory can be used at a time.

LENS ACCESSORY PLACEMENT



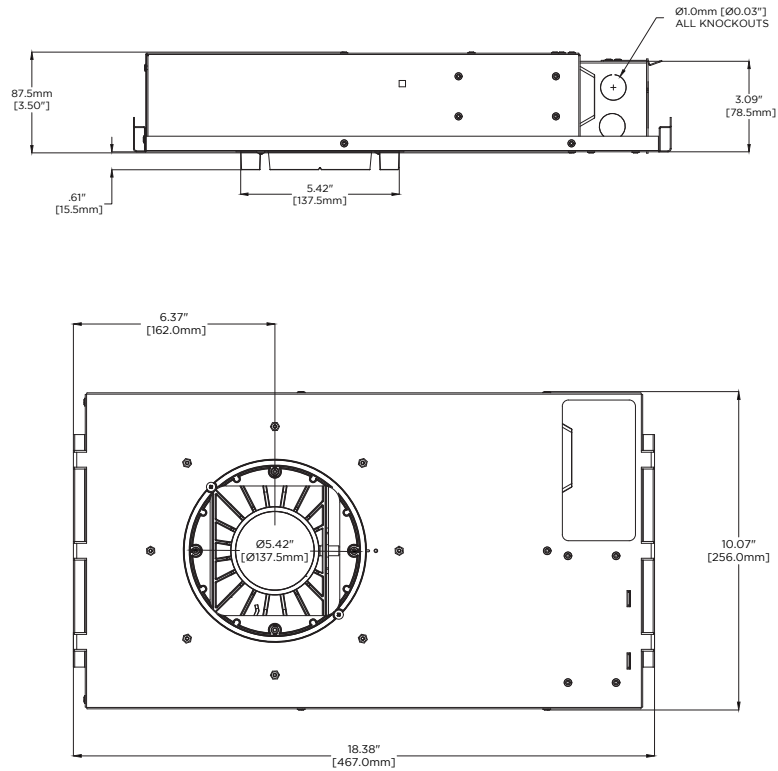
770-000028-03 r1

Specifications are subject to change without notice

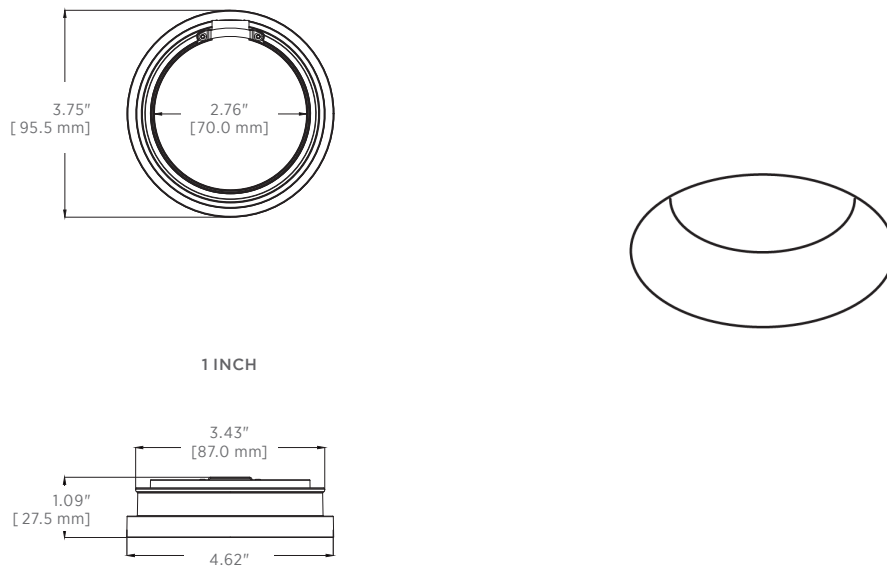
KETRA

STATIC WHITE D3 ROUND ADJUSTABLE FLANGELESS BEVEL

HOUSING



TRIM



1 INCH

770-000028-03 r1
Specifications are subject to change without notice

KETRA

STATIC WHITE D3 ROUND ADJUSTABLE FLANGELESS BEVEL

ISO FOOTCANDLE CHARTS: 2700K, 3000K, 3500K, 4000K DELIVERED LUMENS

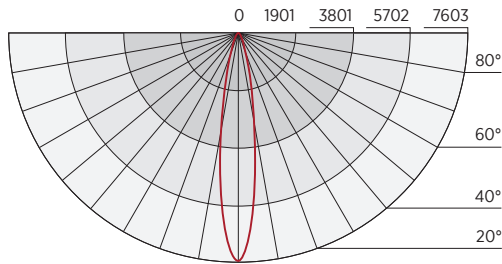
LM-79 compliant IES files available upon request.

BEAM ANGLE: 15° SPOT, LOW GLARE

Product Code ¹	Wattage	Delivered Lumens	CBCP
D3ADRM18B2715L	18W	1092	7603

Foot-candles	Beam Dia.
211	6'
119	8'
76	10'
53	12'
39	14'

Distance From Light

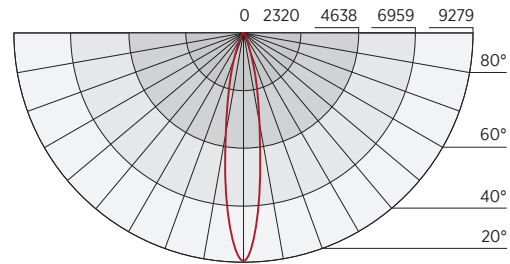


BEAM ANGLE: 15° SPOT, HIGH OUTPUT

Product Code ¹	Wattage	Delivered Lumens	CBCP
D3ADRM18B2715H	18W	1148	9279

Foot-candles	Beam Dia.
258	6'
145	8'
93	10'
64	12'
47	14'

Distance From Light

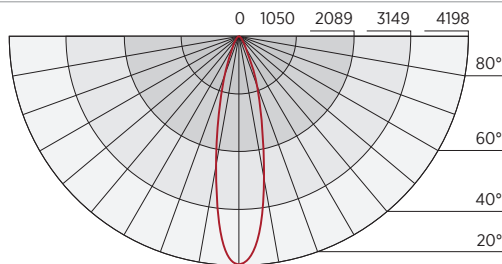


BEAM ANGLE: 25° SPOT, LOW GLARE

Product Code ¹	Wattage	Delivered Lumens	CBCP
D3ADRM18B2725L	18W	1046	4198

Foot-candles	Beam Dia.
117	6'
66	8'
42	10'
29	12'
21	14'

Distance From Light

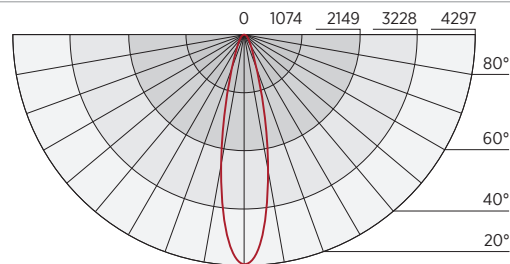


BEAM ANGLE: 25° SPOT, HIGH OUTPUT

Product Code ¹	Wattage	Delivered Lumens	CBCP
D3ADRM18B2725H	18W	1142	4297

Foot-candles	Beam Dia.
119	6'
67	8'
43	10'
30	12'
22	14'

Distance From Light



¹ Performance data applies to all base types and housing colors.

KETRA

STATIC WHITE D3 ROUND ADJUSTABLE FLANGELESS BEVEL

ISO FOOTCANDLE CHARTS: 2700K, 3000K, 3500K, 4000K DELIVERED LUMENS

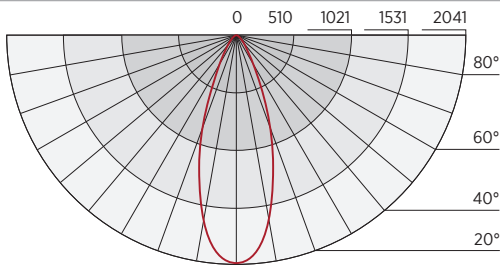
LM-79 compliant IES files available upon request.

BEAM ANGLE: 40° WIDE FLOOD, LOW GLARE

Product Code ¹	Wattage	Delivered Lumens	CBCP
D3ADRM18BT40L	18W	955	2041

Foot-candles	Beam Dia.
57	6' 4.37'
32	8' 5.82'
20	10' 7.28'
14	12' 8.74'
10	14' 10.19'

Distance From Light

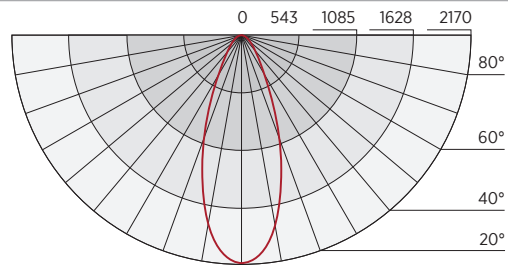


BEAM ANGLE: 40° WIDE FLOOD, HIGH OUTPUT

Product Code ¹	Wattage	Delivered Lumens	CBCP
D3ADRM18BT40H	18W	1087	2170

Foot-candles	Beam Dia.
60	6' 4.37'
34	8' 5.82'
22	10' 7.28'
15	12' 8.74'
11	14' 10.19'

Distance From Light

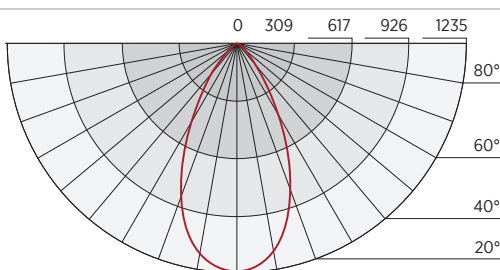


BEAM ANGLE: 60° VERY WIDE FLOOD, LOW GLARE

Product Code ¹	Wattage	Delivered Lumens	CBCP
D3ADRM18BT60L	18W	941	1235

Foot-candles	Beam Dia.
34	6' 6.93'
19	8' 9.24'
12	10' 11.55'
9	12' 13.86'
6	14' 16.17'

Distance From Light

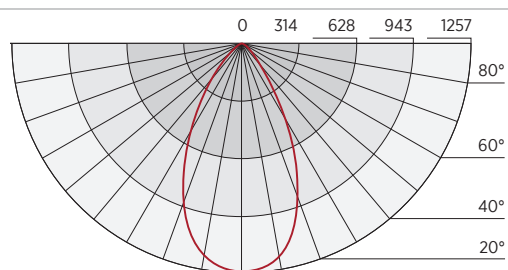


BEAM ANGLE: 60° VERY WIDE FLOOD, HIGH OUTPUT

Product Code ¹	Wattage	Delivered Lumens	CBCP
D3ADRM18BT60H	18W	1061	1257

Foot-candles	Beam Dia.
35	6' 6.93'
20	8' 9.24'
13	10' 11.55'
9	12' 13.86'
6	14' 16.17'

Distance From Light



¹ Performance data applies to all base types and housing colors.

KETRA

STATIC WHITE D3 ROUND ADJUSTABLE FLANGELESS BEVEL

GENERAL SPECIFICATIONS

LED downlight shall employ closed loop optical and thermal feedback capable of maintaining color point accuracy of <1 MacAdam ellipse.

LED downlight shall have color spatial uniformity of <2 MacAdam ellipses over full field angle.

LED downlight shall have an integrated wireless control onboard.

LED downlight shall be capable of a CRI >90 along the Black Body Curve at 2700K, 300K, 3500K, or 4000K.

LED downlight lamp shall be a single source multi-die emitter consisting of both monochromatic and phosphor converted blue LED dye.

LED downlight shall be sealed, meeting UL damp location (and UL Wet Location with Wet Location Trim) requirements.

LED downlight shall be dimmable to 0.1% of measured luminous flux with wireless dimming.

LED downlight shall be UL listed and RoHS compliant.

LED downlight shall be capable of in situ firmware and software upgrades.

Ketra LED Fixtures are warranted to be free from material defects in material and workmanship for five (5) years or 25,000 hours from date of shipment, whichever is less.

LED D3 Fixture shall be # _____

770-000028-03 r1

Specifications are subject to change without notice